

POSEIDON

PRODUCT RANGE

AQUADYKSPORT PRISLISTA 2024

**NOT. I DE FALL PRISER SAKNAS, VÄNLIGEN
KONTAKTA AQUADYKSPORT FÖR
AKTUELLT PRIS.**

Med reservation för prisändringar



**FRI FRAKT GÄLLER VID LEVERANS I
SVERIGE.**



CONTENTS

Rebreather & Accessories	4
Computer & Accessories	12
Cylinders & Valves	16
Regulators & Gauges	18
BCDs & Wings	34
Weight Pockets & Belts	38
Suits & Accessories	40
Masks, Fins & Snorkels	44
Bags, Cases & Other Accessories	46
Apparel	50
Discontinued Products	54
Contacts	56

*This mark * after the article number indicates that is an Order Item, that we do not always have in stock. Please contact sales for current status and delivery information.*

*This mark ** after the article number indicates that it is an Order Item that requires a minimum order quantity (MoQ). Contact sales for price, MoQ and delivery information.*

Further information on products can be found at our homepage www.poseidon.com.

You can place your order on the internet at <http://order.poseidon.com>.

There you will also see your prices and order status as well as your complete order history.

Photo: Santiago Lucciano, A.Mathiesen-öhman, J.Nilsson, P.Andersson, A.Minnaar et.al.

POSEIDON SE7EN+

Rebreather safety is no longer a guessing game. With the Poseidon SE7EN+ supporting the digital Solid State O2 Sensors, we ensure you know your PO2 reading is accurate.

The system comprises a breathing loop (mouthpiece, hoses, counter lungs, backpack and scrubber) with associated electronics module (with Smart battery and O2 sensors), and two independent gas cylinders. One contains 100% compressed oxygen which is added to the breathing loop as the diver consumes it. The second cylinder typically contains compressed air "diluent" to compensate for compression in the breathing loop as the diver goes deeper. It's also a backup system, containing enough oxygen for the diver to breathe directly in an emergency.

The SE7EN has big advantages over traditional open circuit equipment:

- > Get closer to marine life
- > Much more time underwater
- > Patented safety technology
- > Proven performance
- > Expandable system
- > Recreational or 100 m technical rebreather
- > Comfortable mouth-piece with patented BOV included
- > Dive Management System
- > Plug and play with Dive-by-Wire™
- > Solid State O2 Sensor enabled
- > Bluetooth connectivity
- > Automatic start-up testing procedure



POSEIDON SE7EN+ SPORTS EDITION



160 000 SEK

SE7EN SPORT PACKAGE

- > Poseidon SE7EN+ without Cover
- > Repackable Scrubber
- > Tank Belt MKVI / SE7EN
- > 11 inch adapter
- > Battery Module - Rec 40 (Green)
- > Rebreather BCD, Recreational Counter Lungs or Back Mounted Counter Lungs
- > 3L Aluminium Cylinder Set 200 Bar or 3L Steel Cylinder Set 300/232 Bar

Art. no.	Description	
6012-013	SE7EN SPORT Package EU version	60 000 SEK
6012-014	SE7EN SPORT Package Int version <i>Cylinders and Cylinder valves are not included in the International version and must be purchased separately.</i>	

POSEIDON SE7EN+ REC EDITION



SE7EN REC PACKAGE

- > Poseidon SE7EN+
- > Repackable Scrubber
- > Tank Belt MKVI / SE7EN
- > 11 inch adapter
- > Battery Module - Rec 40 (Green)
- > Rebreather BCD, Recreational Counter Lungs or Back Mounted Counter Lungs
- > Poseidon M28 Computer - CCR Ready
- > Connecting CAN Cable 1.25m / 4 ft
- > 3L Aluminium Cylinder Set 200 Bar or 3L Steel Cylinder Set 300 Bar

Art. no.	Description	
6012-015	SE7EN REC Package EU version	80 000 SEK
6012-016	SE7EN REC Package Int version <i>Cylinders and Cylinder valves are not included in the International version and must be purchased separately.</i>	

POSEIDON SE7EN+ TEC EDITION



Recommended add on:
Redundant M28, cable and C-pod for third oxygen sensor
Stainless Rebreather Stand

SE7EN TEC PACKAGE

- > Poseidon SE7EN+
- > Repackable Scrubber
- > Tank Belt MKVI / SE7EN
- > 11 inch adapter
- > Battery Module - Deep (Black)
- > Counter Lung Tech Pack with Manual Injection Pack or Back-Mounted Counter Lung with Manual Injection Pack Metal
- > Poseidon Harness w. backplate
- > Poseidon Wing WRB
- > RB Handle
- > Cylinder Inversion Kit
- > Poseidon M28 Computer - CCR Ready
- > Connecting CAN Cable 1.25m / 4 ft
- > 3L Steel Cylinder Set 300 Bar

Art. no.	Description	
6012-017	SE7EN TEC Package EU version	110 000 SEK
6012-018	SE7EN TEC Package Int version <i>Cylinders and Cylinder valves are not included in the International version and must be purchased separately.</i>	

POSEIDON SE7EN CUSTOM-BUILD:

Art. no.	Name	Description
6012-010	POSEIDON SE7EN	EU version <i>incl. cover and battery charger.</i>
6012-011	POSEIDON SE7EN	US version <i>incl. cover and battery charger</i>

For EU orders, the Poseidon SE7EN must ship with cylinders from the factory. Cylinders are not included within either the EU or US article numbers and cylinder type must be specified at the time of ordering for EU purchases.

POPULAR ACCESSORIES:

Art. no.	Name	Description	
0600-200	POSEIDON M28 Dive Computer	It boasts maps, graphics, Dive-By-Wire™, and a host of features that deliver class-leading functionality	18 000 SEK
0005-100	BCD QMR	Designed for easy assembly. The ideal solution for quick BCD attachment	
0000-468	11 Inch Adapter	The value choice for attaching your BCD	
0100-006	Jetstream Mk3 Octopus	The recommended Octopus for the POSEIDON SE7EN	
0650-032	Wing Man, Side Sling Case	Bring your bailout tank with you without bungees and straps	
0100-005	Jetstream Mk3 (Black)	Perfect regulator for your bailout kit	



COUNTER LUNGS

Art. no.	Description
6011-049	Standard Counter Lungs For the recreational rebreather diver. 6.2 liter volume.
6011-050	Large Counter Lungs For the larger or technical rebreather diver. 8.2 liter volume.

MATERIAL:

Ballistic Nylon

TECHNICAL FEATURE:

6.2 or 8.2 liter volume.



MANUAL INJECTION PACK

Art. no.	Description
6011-051	Manual Injection Pack Manual addition of oxygen and diluent gases.



MANUAL ADDITION VALVE PACK BMCL



BACK MOUNTED COUNTER LUNGS

For divers preferring the back mounted set-up of their rebreather wing/harness. Made for the Poseidon Rebreather Wing/ Harness the Back Mounted Counter Lungs have the same material and specifications as the technical counter lungs. Over-the-Shoulder or Back Mounted Counter lungs is a matter of personal preference.

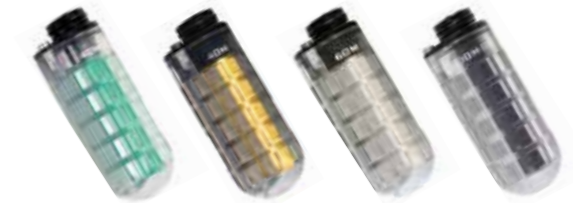
MATERIAL: Ballistic Nylon

Art. no.	Description
6011-066	Back Mounted Counter Lungs For the technical rebreather diver. 8.2 liter volume.

Art. no.	Description
6011-074	Manual Addition Valve Pack - Metall for Back Mounted Counter Lungs 2 hose 110 cm

BATTERY UPGRADE

40M REC, 60M TRIMIX AND DEEP



Recreational or Technical Rebreather.

A simple battery change upgrades your SE7EN to enable deeper dives, decompression management and mixed gases. This easy upgrade path makes the SE7EN the perfect machine to accompany on your journey as you gain experience as a rebreather diver.

Art. no.	Description		
6011-005	Battery Module – Rec 40	●	3200 SEK
6011-027	Battery Module – Deco 40	●	3500 SEK
6011-029*	Battery Module – Trimix 60	○	5000 SEK
6011-036	Battery Module – Deep	●	6000 SEK

Your battery is highly personalized. It saves your dive logs and nitrogen loading. It also contains a light and speaker that alert your buddy of any alarms. If you put your battery into somebody else's SE7EN, the more conservative settings will be used for your next dive.

MATERIAL:

Water sealed battery pack in robust plastic.

TECHNICAL FEATURE:

The battery will upgrade your unit to the specific depth limit. The deeper version will also let you specify the trimix used through the PC config program.





**BREATHING LOOP
CC HOSE**

These hoses will make it possible for you to customize the lengths of the hoses to fit you better.

The standard length sold with the POSEIDON SE7EN is 346 mm.

Art. no.	Description
0132-000	CC Hose 346 mm, pair
0135-000	CC Hose 286 mm, pair
0135-001	CC Hose 396 mm, pair



**MIFLEX HOSE
POLYURETHANE**

The Miflex Polyurethane hose delivers diluent air to the POSEIDON SE7EN mouthpiece.

This hose is of the highest caliber and is an excellent choice for use with both the POSEIDON SE7EN and Poseidon Xstream and Jetstream regulators.

Art. no.	Description
0130-004	LP Hose Polyurethane 9/16-18, 90cm
0130-032	LP Hose DIL 9/16-18, 20cm
0130-033	LP Hose O2 9/16-18, 20cm
0130-034	LP Hose DIL 9/16-18, 20cm w. 90 angle
0130-035	LP Hose O2 9/16-18, 20cm w. 90 angle
0132-007	LP Hose DIL 3/8M-9/16"F, 38cm
0132-008	LP Hose O2 3/8M-9/16"F, 70cm



MOUTHPIECE G7

Art. no.	Description
0005-055	Mouthpiece G7



**BLIND PLUG
MOUTHPIECE**

Art. no.	Description
0000-368*	Blind Plug Mouthpiece



LP-HOSE DIL 30 CM

Art. no.	Description
0132-006	LP-Hose DIL 3/8"-3/8"M, 30cm



**CYLINDER BRACKET
COMPLETE**

Art. no.	Description
0000-467	Cylinder Bracket Complete



BATTERY CHARGER

Art. no.	Description
6011-015	Battery Charger



POWER ADAPTER 12V

Art. no.	Description
6010-290	Power Adapter 12V



**PLUG ADAPTERS
4-PLUG KIT**

Art. no.	Description
6010-291	Plug Adapters 4-PLUG KIT



**3RD CELL
CALIBRATION KIT**

Calibration kit for use with 3rd cell holder. Makes O2 cell calibration easy to perform together with external computers.

Art. no.	Description
6011-055	3rd Cell Calibration Kit





STAINLESS REBREATHER STAND

Art. no.	Description
6011-076	Stainless Rebreather Stand



REPACKABLE SCRUBBER CARTRIDGE

The scrubber is tested in accordance with the EN14143:2013 with the Poseidon SE7EN rebreather.

Art. no.	Description
6011-069	Repackable Scrubber Cartridge



POSEIDON SOLID STATE O2 SENSOR

Digital sensor technology from Poseidon brings a quantum leap in reliability, PO2 accuracy and longevity- and enhances every aspect of your dive.

Art. no.	Description
6011-063	Poseidon Solid State O2 Sensor



O2 SENSOR (MOLEX)

Art. no.	Description
6010-206	O2 Sensor (Molex)



DISPLAY GAUNTLET

COLORS

Black



Art. no.	Description
0605-001	Display Gauntlet S
0605-002	Display Gauntlet L

MATERIAL:

Ballistic Nylon 1680, YKK Waterproof Zipper, Octopus Velcro.



SCRUBBER CARTRIDGE FILTER

Art. no.	Description
6011-070	Scrubber Cartridge Filter Pair

CYLINDER INVERSION KIT



Art. no.	Description
6011-054	Cylinder Inversion Kit



GIGASEPT

Art. no.	Description
0050-003	Gigasept disinfection liquid



CYLINDER QMR SET

The Cylinder Quick Mount Release (QMR) attaches your cylinders even quicker than before and with a perfect fit every time, just as you want them to be. The QMRs are made out of steel and will snap into place on the side of your scrubber canister house.

Art. no.	Description
0415-002	Cylinder QMR Set

RB HANDLE

The stainless steel handle is easily mounted in combination with QMR adapter or 11 inch adapter. This will make your rebreather easy to grab and carry.

Art. no.	Description
6011-019	RB Handle

MATERIAL:

Stainless Steel

TECHNICAL FEATURE:

Quick mount/dismount



TANK BAND STANDARD

COLORS

Black



Art. no.	Description
0000-116	Tank Band Standard 350 SEK

QMR

The Quick Mount/Release adapter presents the fastest solution to mount and dismount your Poseidon SE7EN to your BCD/Wing.

Art. no.	Description
0005-100	QMR Rebreather BCD

MATERIAL:

Stainless Steel

TECHNICAL FEATURE:

Quick solution for mount/dismount



TANK STRAP & BUCKLE

COLORS

Black



Art. no.	Description
0415-001	Tank Strap & Buckle (Pair L&R)

MATERIAL:

Stainless Steel.



11 INCH ADAPTER

This adapter enables the tightest fit between your Poseidon SE7EN and your BCD/Wing. This is the choice if you don't dismount your unit from the buoyancy device too often.

Art. no.	Description
0000-468	11 inch Adapter Complete

MATERIAL:

Stainless Steel

TECHNICAL FEATURE:

Low profile

POSEIDON M28 COMPUTER

“The world’s most powerful dive computer”

The Poseidon M28 Dive Computer has set new standards for dive computer performance. It boasts maps, graphics, GPS, Dive-By-Wire™ and a host of features that deliver class-leading functionality that’s incredibly intuitive to use.



POSEIDON M28



The main features of the M28 include:

- > Powerful graphics thanks to a class leading 2.8" TFT LCD Color Display
- > Highly intuitive user interface with two button control
- > Enhanced SE7EN/MKVI functionality with the M28's Rebreather Management System
- > Dive-By-Wire™ enables you to make changes to set-points and gases during dive. Integration is possible with Poseidon Pod Systems, HUD and HP Sensors
- > Dual Deco Algorithm (DCAP and Bühlmann ZHL16C with gradient factors)
- > Real-time GPS Surface Positioning and maps
- > Depth rated to 200M/656 ft

Art. no.	Description	18 000 SEK
0600-200	Poseidon M28 Computer. Incl. Firmware CCR and Firmware Advanced OC. Carrying case, Dust bag, Charging cable and Bungee cord.	
0600-210	Poseidon M28 Computer and CPOD/Solid State Sensor kit	30 000 SEK

M28 PROTECTIVE COVER



Art. no.	Description
0605-000	M28 Protective Cover, Black.
0605-030	M28 Protective Cover, Red

M28 SCREEN PROTECTION



Art. no.	Description
0002-164	M28 Screen Protection

CPOD INCL. SSO2 AND CABLE



Solid State O2 Sensor features:

- > Absolute oxygen measurement
- > Factory calibrated, no need for user calibration
- > Fast and accurate
- > Low power consumption

Art. no.	Description
6011-064	CPOD, T-Coupling, Poseidon Solid State O2 Sensor and Connecting Cable 1.25m/4ft

POSEIDON M28 CHARGING CABLE



Art. no.	Description
0005-042	M28 Charging Cable

POSEIDON M28 BUNGEE CORD



Art. no.	Description
0000-938	M28 Bungee Cord

O2 SENSOR (MOLEX)



Art. no.	Description
6010-206	O2 Sensor (Molex)

POSEIDON SOLID STATE O2 SENSOR



Art. no.	Description
6011-063	Poseidon Solid State O2 Sensor

CONNECTING CAN CABLE



Art. no.	Description
0000-690	Connecting CAN cable, 1.25 m/4 ft.

BUS BLOCK F²M



Art. no.	Description
6011-061*	BUS Block F ² M

BUS BLOCK M²F



Art. no.	Description
6011-062*	BUS Block M ² F

BLIND PLUG BUS



Art. no.	Description
0605-005	Blind Plug BUS

T-COUPLING



Art. no.	Description
6011-059	T-Coupling

CPOD



The Poseidon C-POD uses an integrated CAN bus to directly connect to the SE7EN or M28 network to monitor and log the required parameters.

Typical adaptations of the Poseidon C-POD with a M28 includes:

- > Monitor loop PO2 individually or as back up.
- > Deploy the Poseidon mouthpiece and HUD system.
- > Deliver life-saving information on PO2, loop status and calculated decompression.

Art. no.	Description
6011-058	CPOD

CPOD INCL. T-COUPLING



Art. no.	Description
6011-060	CPOD incl. T-Coupling

3RD CELL HOLDER



Art. no.	Description
6011-064	3rd Cell holder





**CYLINDER ALU
3LTR 200 BAR**

Diameter: 117 mm / 4.61 Inch
 Length: 440 mm / 17.32 Inch
 Weight: 3.60 kg / 7.9 lb (US)
 Test Pressure: 312 Bar / 4,525 PSI
 Thread Specification: 97/23/EC

Art. no.	Description	
0400-105	Cylinder Aluminium 3Ltr 200 Bar DIL	20000 SEK
0400-106	Cylinder Aluminium 3Ltr 200 Bar O2	2000 SEK

MATERIAL:

Aluminium.

TECHNICAL FEATURE:

For rebreather use we recommend:
 Working Pressure Diluent: 200 Bar / 2,900 PSI.
 Working Pressure Oxygen: 135 Bar / 2,000 PSI.



**CYLINDER STEEL
3LTR 300 BAR**

Diameter: 100 mm / 3.94 Inch
 Length: 510 mm / 20.08 Inch
 Weight: 4.80 kg / 10.58 lb (US)
 Test Pressure: 490 Bar / 7,107 PSI
 Thread Specification: 97/23/EC

Art. no.	Description	
0400-103	Cylinder Steel 3Ltr 300 Bar DIL	2000 SEK
0400-119	Cylinder Steel 3Ltr 232 Bar O2	2000 SEK

MATERIAL:

Chromium molybdenum steel.

TECHNICAL FEATURE:

For rebreather use we recommend:
 Working Pressure Diluent: 300 Bar / 4,350 PSI.
 Working Pressure Oxygen: 135 Bar / 2,000 PSI.



CYLINDER VALVE SINGLE

Art. no.	Description	1500 SEK
0410-100**	Cylinder Valve M25x2 Single G5/8" 200 Bar	



CYLINDER VALVE SINGLE O2

Art. no.	Description	1800 SEK
0410-101**	Cylinder Valve M25x2 Single M26x2 150 Bar O2	



CYLINDER VALVE SINGLE 90°

Art. no.	Description	1500 SEK
0410-155*	Cylinder Valve M25x2 Single G5/8" 200 Bar 90°	



CYLINDER VALVE SINGLE O2 90°

Art. no.	Description	1500 SEK
0410-156*	Cylinder Valve M25x2 Single M26x2 200 Bar 90° O2	



CYLINDER VALVE DOUBLE

Art. no.	Description	1500 SEK
0410-120**	Cylinder Valve M25x2 Double G5/8" 200 Bar	



INLINE VALVE BLACK

Art. no.	Description	750 SEK
0410-161	Inline Valve 3/4", G5/8" 237 Bar, US with Burst Disk	
0410-171	Inline Valve M25x2, G5/8" 232 Bar, EU	
0410-173	Inline Valve M25x2, G5/8" 300 Bar, EU	



INLINE VALVE GREEN O2

Art. no.	Description	750 SEK
0410-160	Inline Valve 3/4", G5/8" 237 Bar O2, US with Burst Disk	
0410-170	Inline Valve M25x2, M26x2 232 Bar O2, EU	
0410-172	Inline Valve M25x2, M26x2 300 Bar O2, EU	

XSTREAM RANGE

POSEIDON KEEPS INNOVATING

The objective; design the most reliable HP valve in the world. Every engineer knows the benefits of using balls in valve arrangements, since they will never be misplaced and will always find their perfect position. Unfortunately, varying upstream pressures will either push the ball too fiercely into the seat or leave it unsecurely loose, giving unbalanced characteristics.

By inventing the floating seat (which automatically repositions the ball) the increased upstream pressure is balanced equally with increased and counter-acting compression forces from the pressure adjustment spring, maintaining the benefits of having a perfect ball as the sealing element.

The Xstream regulator is also self-balancing, which gives the same high performance irrespective of the pressure in the cylinder. When the seat is moved upwards by the high pressure, the design causes the upper pressure spring to compress and thus exactly self-balance the powers of pressure.

Xstream also has a built in anti freeze protection in its construction. TDA (Thermo Dynamic Antifreeze) ensures that the through-flowing water keeps the ice away, entirely without fluids or extra diaphragms.

The Xstream Deep: The Xstream Deep: rated for use down to 200m and for use with mixtures containing helium (He) and a maximum O₂ content of 40%. Colour coded Black on both stages to avoid confusion with other gas mixes. All Xstream hoses are oxygen clean and delivered in a sealed bag and they are available in the following lengths: 70, 90, 150, 215 cm (28, 36, 60, 85 inches).

Duration: Colour coded green for oxygen enriched gas on both first and second stage to avoid confusion with other mixes. This regulator fulfills the O₄ requirements for O₂ content up to 99,95% O₂: O₂-engineered O₂-compatible, O₂-clean and O₂-approved. All Xstream hoses are oxygen clean and delivered in a sealed bag and they are available in the following lengths: 70, 90, 150, 215 cm (28, 36, 60, 85 inches).

O₄ REQUIREMENTS FOR SAFE OXYGEN USAGE

Xstream fulfils the O₄ requirements for safe oxygen (O₂) usage. These are;

- O₁ – oxygen engineered
- O₂ – oxygen compatible materials
- O₃ – cleaned for oxygen use
- O₄ – oxygen approved

O₁, oxygen engineered – constructing a regulator for oxygen use requires special engineering skills. It is not as simple as taking any regulator and changing the materials to be so-called “oxygen compatible”. Care must be taken, for example, to minimise the use of polymeric materials, avoid intersecting holes and sharp turns, minimise flow velocity, evaluate heat transfer and optimise it, ensure the product does not produce contaminants during assembly, make cleaning and inspection efficient, etc.

O₂, oxygen compatible materials – the term “oxygen compatible” must not be taken too literally; it is meaningless to refer to a material as being “perfectly oxygen compatible”.

It is more a matter of choosing materials according to a set of factors which will result in the lowest possible risk of causing a severe error of any kind. For oxygen use, the variety of materials that come into question is very much limited, since factors such as oxygen index, auto ignition temperature, heat of combustion, toxicity of fumes, risk for particle impact, etc must be considered.

O₃, oxygen cleaned – is a standard where a certain level of contaminants can be accepted to expose a tolerable risk for ignition. Special methods and detergents must be used to obtain the correct cleanliness level. Poseidon prefers to call it “cleaned for oxygen use”, rather than “oxygen cleaned”, which can be misleading.

O₄, oxygen approved – The European Union Directive for Personal Protective Equipment requires that SCUBA regulators must be tested and approved by an independent notified body. Regulators for oxygen use must pass more tests specifically for oxygen, e.g. adiabatic compression shock testing.

JETSTREAM

THE ULTIMATE IN RELIABILITY

Controlling the power of a massive airflow, astonishingly reaching some 2100 litres/minute is an engineering challenge. The solution to this was to obtain a precision regulation, keeping breathing pressure to within +/- 5 mm.w.c throughout the inhalation cycle, regardless of depth and demand. Called a servo-assisted valve, it works in the same way as does the power steering you may have on your car – it's all about compensation.

Prior to diving, when you pressurize the regulator, the main blue bladder valve is inflated with the interstage pressure, along with all inner volumes including the upstream side of the servo valve.

When this is done a “whooshing” sound of streaming air is heard.

The system is then activated. On inhalation, the forces from the inhalation diaphragm easily overcome the light forces to crack open or “tilt” the servovalve and in turn evacuate all inner volumes. The main blue bladder valve then collapses and in turn lets an amount of gas out, corresponding to the actual demand.

This technology ensures that the lightest possible effort can result in an almost limitless amount of gas on inhalation.

All the more astonishing is the fact that Poseidon introduced this technology to the market as far back as 1981.

The Jetstream: traditionally popular with technical divers as well as the Swedish and US navies. An easy breathe at any depth, the second stage incorporates a safety valve that allows you to continue to breathe normally in the unlikely event of abnormally high pressure air being delivered to the second stage. Approved to EN250 cold water standard.



MATERIAL:

Durable PVC housing with metal mechanism and rubber parts.

TECHNICAL FEATURES:

- > Use either way up
- > Robust, durable
- > Approved for cold water diving
- > Reliable high performance

COLLECTION COLORS

Blue Red Black Grey Yellow



CYKLON

EVEN MORE EXPERIENCED THAN YOU...



A regulator must possess a set of functions which are unaffected by the different environments it will see during its lifetime. Examples of these functions include inhalation resistance, exhalation bubble distraction, noise and leak tightness – to name just a few. Different environments such as cylinder pressure, diving attitude, depth, temperature, gas, type of water, the diver can have an effect on these functions.

When a new regulator is released on the market, it has to pass the EN 250 test. This test represents one single environment; the manufacturer may have managed to test perhaps another hundred such situations, which is good but not necessarily enough. Only after years and years of actual use by divers around the world will the manufacturer collect all the information which can guarantee a perfect performance under all circumstances. This of course, takes time...

The Poseidon Cyklon Junior was introduced in 1958. In small steps, it has been gradually improved every year, based on both divers' experiences and technological evolution.

The expression "been there – done that" applies to The Poseidon Cyklon more than any other regulator on the market.

The Cyklon: First launched in 1958, constant improvements have resulted in a really tough, reliable workhorse, and is the choice of many navies around the world. Approved to EN250 cold water standard.

COLLECTION COLORS



"It all began in the end of the fifties. I had an idea of placing the demand valve in an immediate connection to the mouth, instead of behind the neck. My goal was also to place the exhaust valve together with the demand valve and in that way be able to use only one hose."

INGVAR ELFSTRÖM, FOUNDER OF POSEIDON

CYKLON 5000



CYKLON X



Robust, high performing, easy to use and cold water ready. The Cyklon just works. Now updated to X for Xstream first stage, and also available for Nitrox and Oxygen.

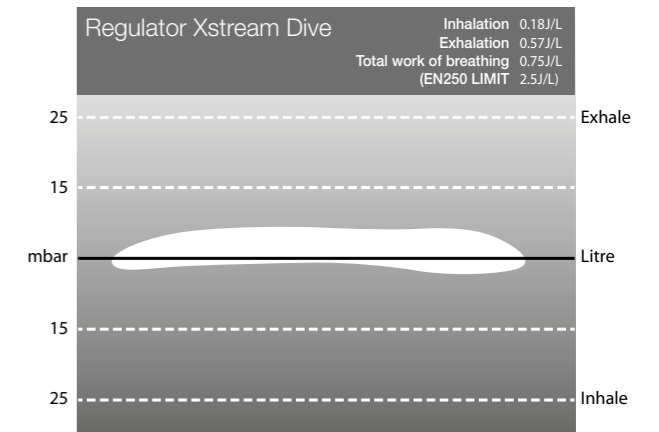
SERVO(PILOT) VALVE TECHNOLOGY

To achieve high air flow on demand, the diameter of the supply nozzle in the second stage has to be of sufficient size; however this impacts on other aspects of a regulator's design. This nozzle is covered by a plate or "valve seat", which ensures that gas does not escape when not in use or during exhalation. Force is required to hold the plate in place against the gas pressure – assuming that it is a downstream opening valve seat, as is the case in most conventional regulators. It is the force required to "crack open" the valve – the inhalation effort – which divers want to keep to a minimum.

As mentioned, with the nozzle diameter "set" according to physical laws, therefore the corresponding force to seal the nozzle is also predetermined. These laws mean that to make a high performing and enjoyable regulator, the given factors would result in either a huge diaphragm to obtain the necessary forces, or a high inhalation effort.

One solution that does reduce the inhalation effort is to use a sharp edge against the valve seat – this reduces the force needed to keep the valve closed. This is not satisfactory as it dramatically increases wear. Another option is to use Venturii-effects to fool the regulator diaphragm into believing that there is a greater demand due to local under-pressure zones near the diaphragm. However this too is not satisfactory as the Venturii-effect is dependent on depth and breathing pattern which means that performance will be affected by depth which is never good.

Our solution is Servo technology. It is like power steering in a car. A servo controlled valve is basically made of two valves; one very small and one bigger. The smaller controls the bigger. By having an extremely small valve, with a correspondingly small nozzle, the forces to keep it air-tight and therefore to open it are much smaller. In addition, since the force to keep the bigger valve shut comes from the interstage pressure itself and is controlled via the servovalve, it doesn't require sharp edged seals and it can be greatly increased in respect of outlet area to achieve very high air-flow capacity.



A common misconception regarding the Jetstream servo valve is that since the servo valve is an upstream opening valve, in case of an increased interstage pressure the servo will shut, preventing the main valve from opening.

This is incorrect. The Jetstream second stage is equipped with a safety valve in case a high pressure airflow occurs. This safety valve prevents the airstream from flowing out through the mouthpiece straight into your mouth. Instead, the construction will release the air into the water via the hose. In all cases it is possible to breathe from the second stage.

What is a breathing curve?

Have you ever thought of how you breathe? When you inhale and exhale you create something called a breathing curve or a loop. A breathing loop is also a way of measuring the performance of a regulator and is measured in Joules per litre (see picture). For example the total work of breathing might be 0,75J/l. The figure shown in charts is normally the sum of inhalation and exhalation with an optimised regulator in a test bench, which means it does not show if the inhalation was extremely high and exhalation extremely low or vice versa.

Some regulators rely on knobs and levers to be manually adjusted. To get optimum performance out of such a regulator as you descend or ascend is extremely hard as there are many parameters to consider. Our idea is that this should work automatically.

At Poseidon we focus on inhalation resistance as breathing out is easy for the human body. The Cyklon achieves this through overall design and the Jetstream and Xstream by servotechnology. The servo valve is unaffected by depth or what pressure it has to work at, as the force required to open it is extremely low. Next time you ask about a regulator's breathing curve ask them about inhalation resistance and if the regulator adjusts this automatically so that you don't end up being the regulator.

POSEIDON XSTREAM

THE BENCHMARK FOR HIGH PERFORMANCE. WHETHER YOU DIVE WITH AIR, TRIMIX OR OXYGEN, THE XSTREAM OUTPERFORMS ALL OTHER REGULATORS. CERTIFIED TO 200M. AS USED BY THE US NAVY.

KEY PERFORMANCE FEATURES:

- > Side purge prevents current-induced free flow
- > Side vent diverts bubbles from face
- > EAN 40 ready and compatible
- > Works perfectly either way up, or from left or right side
- > Only regulator certified for 200 m / 656 ft
- > No environmental sealing required for cold water



Art. no	Product Name	
0100-010	Xstream Black, for air, nitrox 50% and trimix	9500 SEK



Art. no	Product Name	
0100-000	Xstream Deep MK3, for air, nitrox 50% and trimix	7800 SEK



Art. no	Product Name	8500 SEK
0100-001*	Xstream Duration M26 (EU), Green, for oxygen. 70 cm hose.	
0100-007	Xstream Duration G5/8" (Int), Green, for oxygen. 70 cm hose.	

JETSTREAM



Art. no	Product Name	
0100-005	Jetstream Mk3, Black	7500 SEK

CYKLON 5000



Art. no	Product Name	
3950	Cyklon 5000, Black with hose 70 cm	6000 SEK



Art. no	Product Name	
3950 M	Cyklon Metal with hose 70 cm	7500 SEK



Art. no	Product Name	
3950 10	Cyklon 5000, fixed yoke with hose 70 cm	6500 SEK
3950 10M	Cyklon Metal, fixed yoke with hose 70 cm	8000 SEK

CYKLON X

For 60 years the Cyklon regulator has earned its stellar reputation for durability. Cyklon X now gets the cold water and 1st stage performance from Xstream's patented technology. This also makes it Nitrox EAN 40 ready and we can deliver it oxygen cleaned on special order. Choose between the lighter standard 2:nd stage or the even more durable Cyklon X Metal 2:nd stage. The Cyklon X is a combination that will truly last for a lifetime of diving.



Art. no.	Description	
0100-100	Cyklon X with hose 70 cm	7500 SEK



Art. no.	Description	
0100-101	Cyklon X Metal with hose 70 cm	9000 SEK



REGULATORS & GAUGES

OCTOPUS



XSTREAM OCTOPUS
WITH 90 CM LP-HOSE

Art. no.	Description	
0100-003	Xstream Octopus	3000 SEK
0100-013	Xstream Black Octopus	3500 SEK



JETSTREAM OCTOPUS
WITH 90 CM LP-HOSE

Art. no.	Description
0100-006	Jetstream Octopus



CYKLON OCTOPUS
WITH 90 CM LP-HOSE

Art. no.	Description	
2981	Cyklon Octopus	2800 SEK
2981 M	Cyklon Metal Octopus	3500 SEK

GAUGES

The gauges come in two different colors, the traditional yellow dial and the new with a black dial. Both versions come with either bar or psi and they are also available as double console with a depth meter.

MODEL:

Cirrus Pressure Gauge with Hose



Manometer Mini BAR

Double Console in Black



Manometer Mini PSI

Pressure Gauge in Black



Compass Cirrus

Double Console in Yellow



TECHNICAL FEATURES:

Cirrus Pressure Gauge with Hose
This 300 bar (4350 psi) pressure gauge is a small model that will not be in the way during the dive. Made of robust metal and packed with Poseidon's 300 bar kevlar reinforced hose. Also available with PSI scale.

Pressure Gauge in Black
Our pressure gauge in a new design, with black display and fluorescent numbers. Pressure gauge shows both BAR and PSI. Delivered with a 80 cm HP hose.

Double Console in Black
Our double console in a new design, with black display and fluorescent numbers. Pressure gauge shows both BAR and PSI. Comes with a 80 cm HP hose.

Art. no.	Description	
7929	Pressure gauge Cirrus w hose BAR	1500 SEK
0600-001	Double Console Cirrus, Black	1800 SEK
0600-000	Pressure Gauge Cirrus, Black	1000 SEK
8671	Double Console Cirrus w hose BAR, Yellow	2500 SEK
001-95	Manometer Mini BAR	600 SEK
002-06	Manometer Mini PSI	600 SEK
8672*	Compass Cirrus Cover + Holster	1000 SEK



REGULATOR KIT XSTREAM BLACKREGULATOR KIT XSTREAM BLACK

- > 1st Stage Xstream Black Regulator
- > Xstream Octopus Black/Yellow incl. Hose
- > Xstream Black/Black incl. Hose
- > Pressure Gauge Yellow with Hose
- > Neckstrap
- > User guide

Art. no	Product Name	
0100-590	Xstream Black w. Octo & Ye. PSG Bar	12 000 SEK
0100-591	Xstream Black w. Octo & Ye. PSG Psi	

REGULATOR KIT XSTREAM DEEPREGULATOR KIT XSTREAM DEEP

- > 1st Stage Xstream Regulator
- > Xstream Octopus Yellow incl. Hose
- > Xstream Deep MK3 incl. Hose
- > Neckstrap
- > With Pressure Gauge Black incl. Hose
- > User guide

Art. no	Product Name	
0100-560	Xstream Deep w Octo & Black PSG	10 000 SEK
0100-580	Xstream Deep w Octopus	9500 SEK
100-578	Xstream Cold Water Double kit, incl. 2 pcs 1st stage, 2 pcs 2nd stage, LT hose 60 & 215 cm	

REGULATOR KIT XSTREAM DURATIONREGULATOR KIT XSTREAM DURATION

- > 1 st Stage Xstream Duration Regulator
- > Xstream Octopus Yellow incl. Hose
- > Xstream Duration incl. Hose
- > Neckstrap
- > With Pressure Gauge Black incl. Hose
- > User guide

Art. no	Product Name	
0100-514	Xstream Duration M26 (EU), Green, for oxygen. With Octopus. Incl. LP-hose.	
0100-518	Xstream Duration G5/8" (Int), Green, for oxygen. With Octopus. Incl. LP-hose.	

REGULATOR KIT CYKLON XREGULATOR KIT CYKLON X

- > 1st Stage Xstream Regulator
- > Cyklon Octopus Yellow incl. Hose
- > Cyklon Black incl. Hose
- > With or without Pressure Gauge Black incl. Hose
- > User guide

Art. no.	Description	
0100-535	Cyklon X with Octopus	9500 SEK
0100-540	Cyklon X with Octopus incl. PSG Black	10 000SEK

REGULATOR KIT CYKLON 5000REGULATOR KIT CYKLON 5000

- > 1st Stage Cyklon Regulator
- > Cyklon Octopus Yellow incl. Hose
- > Cyklon Black incl. Hose
- > With or without Pressure Gauge Black incl. Hose
- > User guide

Art. no.	Description	
0100-545	Single Kit Cyklon 5000	7500 SEK
0100-550	Single Kit Cyklon 5000 incl. PSG Black	8000 SEK



ATMOSPHERE



It is approved for cold water, and in combination with the mask features a unique highly effective de-fogging system which keeps the field of vision clear even at water temperatures close or equal to freezing point. The mask has an anti-distortion visor, with frosted sides to prevent reflections. The mask is an over pressure mask which reduces the risk of contaminated water entering the mask during a dive. The mask can of course be used in all altitudes without free-flowing.

Any standard communication system will fit the Poseidon mask. The mask has external buoyancy compensating weights which can also be used for mounting torches, video-cameras etc. Developed initially for fighter plane pilots the mask was designed to be worn for up to six hours when the plane flies through chemical or biological war zones.

COLLECTION COLORS

Black



Art. no.	Description
4960-M-BK	Atmosphere M Complete
4900-M-BK	Atmosphere M w. 2:nd stage

WEIGHT FOR ATMOSPHERE

13 000 SEK
9000 SEK



TECHNICAL FEATURES:

For optimum performance, the Atmosphere should be connected to an Xstream 1st stage.

- > Highly effective de-fogging system
- > Anti-distortion visor
- > Prepared for communication system

Art. no.	Description	2000 / ST
0005-195*	Weight for Atmosphere, pair	

POSEIDON FACT
ATMOSPHERE

Poseidon is the only manufacturer with mouthpiece regulators approved for cold water service by US Navy. For details go to <http://www.supsalv.org/pdf/ANU.pdf>

ATMOSPHERE PACKAGE

- > Regulator with 70 cm hose
- > Warranty card
- > User guide

USERS

- > US Navy
- > Italian police
- > Technical divers

WHO SHOULD BUY

Sport divers
Under water photographers

POSEIDON FACT
JETSTREAM P.P.

Jetstream P.P. fulfils the EU PPE 89/686/EEC directive and is approved according to the cold water standard EN 250:2014. The regulator has breathing performance that by far exceeds the demands of 3J/I at 50 m depth with a cylinder pressure of 50 bar.

ATMOSPHERE PACKAGE

- > Full face mask
- > Second stage with 70 cm hose
- > Warranty card
- > User guide
- > Poseidon neck strap
- > Name badge holders

WHO SHOULD BUY

Cold water divers
Public safety divers
Military
Sport divers
Technical divers



POSEIDON EBS MKII

The Poseidon EBS (Emergency Breathing System) is a Category A Escape device Compressed Air System.

MATERIAL:

Cylinder capacity 0.3 liter, 200 bar/2900 psi.
60 litre compressed air.
Xstream EBS mkII 1st stage regulator.
Low Pressure Hose Flexible 24".
Cyklon EBS 2nd stage regulator.

TECHNICAL FEATURES:

The EBS is complies with EN250 ColdWater and CAP1034.

COLORS

Yellow



Art. no.	Description
0140-010	Poseidon EBS Yellow



**FILLING ADAPTER
M26-G5/8" O2-CLEAN**

Art. no.	Description
0005-008*	Filling Adapter M26-G5/8" O2-Clean



**MIFLEX HOSE
POLYURETHANE**

Art. no.	Description
0130-004	LP Hose Polyurethane 9/16-18, 90cm
0130-032	LP Hose DIL 9/16-18, 20cm
0130-033	LP Hose O2 9/16-18, 20cm
0130-034	LP Hose DIL 9/16-18, 20cm w. 90 angle
0130-035	LP Hose O2 9/16-18, 20cm w. 90 angle
0132-007	LP Hose DIL 3/8M-9/16"F, 38cm
0132-008	LP Hose O2 3/8M-9/16"F, 70cm



**LP-HOSE WING
INFLATOR 80 CM**

Art. no.	Description
0130-016	LP-Hose Wing Inflator Length 80 cm



**LP-HOSE O2 WING
INFLATOR 65 CM**

Art. no.	Description
0130-026*	LP-Hose O2 Wing Inflator Length 65 cm



**LP-HOSE CYKLON
UNF 3/8"**

Art. no.	Description
2946	LP-Hose Cyklon 70 cm 600 SEK
2947	LP-Hose Cyklon 90 cm 620 SEK
2948*	LP-Hose Cyklon 120 cm 650 SEK
3146*	LP-Hose Cyklon 150 cm 680 SEK
3147*	LP-Hose Cyklon 215 cm 740 SEK



**LP-HOSE MK3
9/16-18**

Art. no.	Description
0130-000	LP-Hose Mk3 9/16-18 Length 70 cm 600 SEK
0130-001*	LP-Hose Mk3 9/16-18 Length 70 cm O2 700 SEK
0130-002	LP-Hose Mk3 9/16-18 Length 90 cm 620 SEK
0130-003*	LP-Hose Mk3 9/16-18 Length 90 cm O2 720 SEK
0130-006	LP-Hose Mk3 9/16-18 Length 110 cm 640 SEK
0130-007*	LP-Hose Mk3 9/16-18 Length 110 cm O2 740 SEK
0130-008	LP-Hose Mk3 9/16-18 Length 150 cm 680 SEK
0130-009*	LP-Hose Mk3 9/16-18 Length 150 cm O2 780 SEK
0130-010	LP-Hose Mk3 9/16-18 Length 210 cm 740 SEK
0130-011*	LP-Hose Mk3 9/16-18 Length 210 cm O2 840 SEK
0130-048	LP-Hose Mk3 9/16-18 Length 60 cm 590 SEK



**LP-HOSE MK3
9/16-18 BLACK**

Art. no.	Description
0130-036	LP-Hose Mk3 9/16-18 Black, Length 70 cm
0130-037	LP-Hose Mk3 9/16-18 Black, Length 90 cm

POSEIDON XSTREAM - AVAILABLE COLORS FOR HOUSING AND COVER

MORE COLORS NOW AVAILABLE FOR THE XSTREAM HOUSING AND COVER. CHOOSE WHITE, GREY OR THE STANDARD BLACK FOR THE HOUSING AND PINK, TURQUOISE, WHITE AND GREY FOR THE COVER. TOGETHER WITH THE EXISTING BLACK, YELLOW AND GREEN COVERS THERE ARE A LOT OF CHOICES.

CONFIGURE YOUR OWN XSTREAM ONLINE, JUST THE WAY YOU WANT IT.



Regulators						
General	Xstream Deep	Xstream Duration	Jetstream Mk3	Cyklon 5000	Cyklon Metal	Atmosphere FFM
Item no	0100-000	0100-001 M26 0100-007 G5/8"	0100-005	3950	3950 M	4900-M-BK
Approved to depth (m/f)	200/656 (gas dep)	200/656 (gas dep)	50/165	50/165	50/165	50/165
IP (bar/psi)	8.5/123	8.5/123	9.5/138	12/174	12/174	8.5/123
Air	✓	✓	✓	✓	✓	✓
Nitrox EAN 40%	✓	✓	n/a	n/a	n/a	n/a
Oxygen 99.95%	n/a	✓	n/a	n/a	n/a	n/a
Trimix	✓	n/a	n/a	n/a	n/a	n/a
Working pressure 300 bar	✓	✓	✓	✓	✓	✓
Anti-Freeze protection	✓	✓	**	**	**	**
O-rings	Nitril/EPDM	Viton/EPDM	Nitril	Nitril	Nitril	Nitril
US Navy Tested	✓	n/a	✓	✓	✓	n/a
Oxygen approved (EN738-1)	n/a	✓	n/a	n/a	n/a	n/a
NORSOK Tested	✓	✓	n/a	n/a	n/a	n/a
EN250 approved (cold water)	✓	✓	✓	✓	✓	✓
CE Cold water approved	✓	✓	✓	✓	✓	✓

2nd Stage						
Item no	0120-000	0120-001	0120-005	3354	3354 M	4915-BK
Colour	Black	Green	Black	Black	Metal	Black
Material	ASA/TPU	ASA/TPU	ASA	ASA	ASA	ASA
	Stainless steel	Stainless steel	Stainless steel	Stainless steel	Stainless steel	Stainless steel
	Brass	Brass	Brass	Brass	Brass	Brass
Weight (g/lb)	152/0,33	152/0,33	190/0,42	200/0,44	250/0,55	190/0,42
Volume (ml/cuin)	49,5/3,0	49,5/3,0	80/4,88	60/3,66	60/3,66	80/4,88
Technique	Upstream	Upstream	Upstream	Downstream	Downstream	Upstream
Flowrate (l/cuft permin)	2150/76	2150/76	1800/63	1250/44	1250/44	1800/63
Oxygen cleaned	n/a	✓	n/a	n/a	n/a	n/a
Servoassisted	✓	✓	✓	n/a	n/a	✓
Safety valve	✓	✓	✓	n/a	n/a	✓
Swiveling	✓	✓	✓	✓	✓	✓
Automatic Venturi assist	✓	✓	✓	✓	✓	✓
Automatic Inhalation control	✓	✓	✓	✓	✓	✓
Gascode cover	✓	✓	n/a	n/a	n/a	n/a
Dismountable w/o tools	✓	✓	n/a	n/a	n/a	n/a
Non keyed (no up or down)	✓	✓	✓	✓	✓	fixed
Anatomic Mouthpiece	✓	✓	✓	✓	✓	n/a
Push button on side	✓	✓	✓	✓	✓	✓
Positive pressure	n/a	n/a	n/a	n/a	n/a	✓

1st Stage						
Product name	Xstream Deep	Xstream Duration	Jetstream Mk3	Cyklon 5000	Cyklon Metal	Atmosphere Complete
Item no	0110-000	0110-001 M26 0110-003 G5/8"	0110-000	3720	3720	0110-000
Colour	Black	Green	Black	Metal	Metal	Metal
Technique	Rolling diaph.	Rolling diaph.	Diaphragm	Diaphragm	Diaphragm	Rolling diaph.
Material	Chrome/brass	Chrome/brass	Chrome/brass	Chrome/brass	Chrome/brass	Chrome/brass
Valve technique	Spheric	Spheric	Piston	Piston	Piston	Spheric
Wheel mount	Side	Side	Side	Side	Side	Side
Flowrate (l/cuft per min)	5500/194	5500/194	5500/194	5100/180	5100/180	5500/194
Oxygen cleaned DIN 5/8"	n/a	✓	✓	✓	✓	✓
Connection	✓	✓	✓	✓	✓	✓
DIN 5/8" Connection	✓	✓	✓	✓	✓	✓
EN144-3 Connection	n/a	✓	n/a	n/a	n/a	n/a
Separate Yoke	**	**	**	**	**	**
Zytel HP seat	✓	✓	✓	n/a	n/a	n/a
Safety valve	✓	✓	✓	✓	✓	✓
Thermodynamic anti-freeze prot.	✓	✓	n/a	n/a	n/a	n/a

Hose						
Hose length	70 cm/28 in	*	70 cm/28 in	70 cm/28 in	70 cm/28 in	70 cm/28 in
Cordreinforced EPDM	✓	✓	✓	✓	✓	✓
Inspection port	✓	✓	✓	✓	✓	✓
>100 bar burst pressure	✓	✓	✓	✓	✓	✓
>1000 N Tensile strength	✓	✓	✓	✓	✓	✓
Oxygen cleaned	n/a	✓	n/a	n/a	n/a	n/a

Accessories						
Item no	0100-003	n/a	0100-006	2981	2981 M	0100-003, 0100-006
Separate Yoke	2920	2920	2920	2920	2920	2920
Anti freeze cap	n/a	n/a	1286	1286	1286	n/a
Hose 70 cm/28 inch	0130-000	0130-001	0130-000	2946	2946	0130-000
Hose 90 cm/35 inch	0130-002	0130-003	0130-002	2947	2947	0130-002
Hose 150 cm/59 inch	0130-008	0130-009	0130-008	3146	3146	0130-008
Hose 215 cm/85 inch	0130-010	0130-011	0130-010	3147	3147	0130-010
Neckstrap	4540	4540	n/a	n/a	n/a	4540

* Choose length ** Accessory n/a Not available n/d Not delivered ✓ Standard

GLOSSARY OF TERMS USED

Balanced – this means that the regulated pressure is independent from the upstream pressure, e.g. IP independent from cylinder pressure, or breathing pressure independent from IP. The conventional way to obtain this is to arrange the valve in such a way that the upstream pressure either: acts only on surfaces perpendicular to the opening and closing direction, thereby having no effect on opening and closing forces; or the upstream pressure leads through the valve to an opposite surface of equal area, leading to an automatic equalisation (balancing) of forces in the opening and closing direction.

Either way, it leads to a more stable performance and higher regulating precision.

Upstream valve vs. downstream valve – an upstream valve opens in a direction opposite of the flow direction which will be established when the valve opens. A downstream opens in the same direction as the subsequent flow. An upstream valve will seal tighter and tighter with an increasing upstream pressure, while a downstream will open when upstream pressure reaches a certain threshold pressure.

SCUBA regulators with upstream valves must have something acting as a pressure relief valve somewhere in the line, to ensure that explosions are not caused in case of an excessive pressure. Downstream valves will open spontaneously, but if used, for example, in 2nd stages, will be more prone to start free-flowing under the same circumstances.

p/v loop, breathing diagram - A p/v loop is a way to visualise a regulator's breathing performance by plotting the breathing pressure over the displaced volume. Most often, the breathing starts with an inhalation to the right at the x-axis, and the inhalation forms a graph ideally close to the x-axis. When exhalation starts, the graph plotter turns and goes back again on the positive side of the x-axis until the inhaled volume has again been exhaled. This then forms a "pressure/ volume loop". The x-axis intersects with the y-axis exactly at the actual pressure at depth, and can be said to be the target regulator pressure. If both the inhalation and exhalation curve did not deviate from the target pressure whatsoever, we would have a perfect regulator, with no inhalation- or exhalation-resistance.

Norsok U-101 – Since the EN 250 standard only states-dynamic performance testing to a maximum depth of 50m, and accordingly requires a maximum approved diving limit to 50m, it cannot be used for type approving regulators capable of more. The Norwegian Off-Shore industry has established standards similar to the EN 250 which describes testing down to 400m. This standard was accepted by the notified body to be used to tested the first ever Open Circuit SCUBA regulator to be approved for use down to 200m – the Xstream. The standard can be viewed at: http://www.standard.no/pronorm-2/data/ff/0/01/49/1_10704_0/U-101-N.pdf





REBREATHER BCD

The rebreather BCD is the first of its kind and features include integrated exchangeable lungs, weight system and the Poseidon individual patch system. The rebreather BCD is constructed to the highest quality and durability using ballistic nylon, YKK zippers and hand crafted detailing. Available in 4 colors.

- > Integrated exchangeable lungs
- > Weight system
- > Individual patch system

MATERIAL:

Premium black version in Nylon 1680.
Color versions in red, made in Cordura 1000.
YKK Waterproof Zippers. Inflator with stainless steel mechanism.

TECHNICAL FEATURES:

Integrated counter lungs, Integrated weightpockets, Case for crotch strap, Velcro for patches or gauntlet.

WAIST RANGE

Size	S	M	L	XL
inch	30-36	33-39	37-43	40-47
cm	76,5-91,5	84-99	94-109	101,5-119,5

POPULAR ACCESSORIES:

Art. no.	Name	Description
0605-001/002	Display Gauntlet	Keeps your display in place on your wrist
0005-100	QMR	Quickly attached MK VI to BCD or Harness
0650-031/032/033	Wing Man	To use for your bailout bottle

COLLECTION COLORS

Red Black



Art. no. Description 6000 SEK

0337-032	Rebreather BCD Red XS
0337-033	Rebreather BCD Red S
0337-034	Rebreather BCD Red M
0337-036	Rebreather BCD Red L
0337-037	Rebreather BCD Red XL

0337-062	Rebreather BCD Black XS
0337-063	Rebreather BCD Black S
0337-064	Rebreather BCD Black M
0337-066	Rebreather BCD Black L
0337-067	Rebreather BCD Black XL

THE POSEIDON WING AND BACKPLATE

The Wing & Backplate is tailored to fit the POSEIDON SE7EN but is also an excellent choice for SCUBA diving purposes.

The Poseidon Wing & Harness have been designed to sustain good buoyancy and fit. Therefore they are the preferable choice of buoyancy device.

Made in Ballistic nylon with an integrated deflate system and custom made back plate.

The webbing and buckle system is adapted from the Poseidon platform.

The black aluminum backplate is covered in Nylon for protection and a higher comfort.

The four D-rings will make it easy to attach your bailout tank/-s or anyother equipment you would like to take along on your dive.

COLLECTION COLORS

Black



Art. no. Description

0336-164	Harness w. backplate	3800 SEK
0338-060	Poseidon Wing WRB	5500 SEK

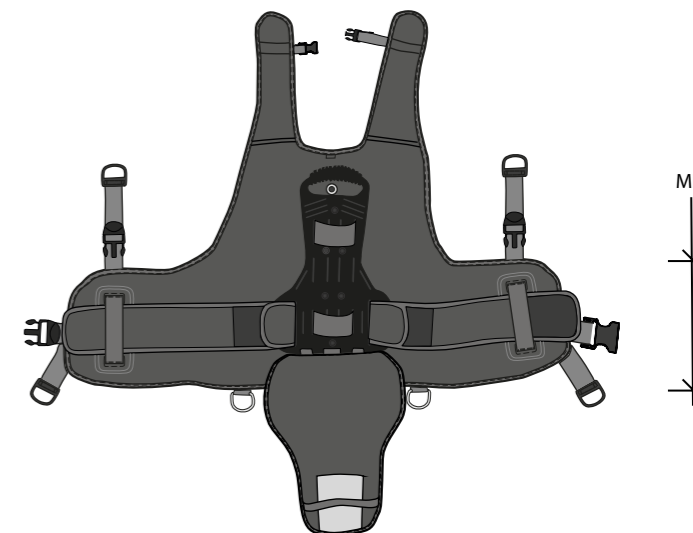
TECHNICAL FEATURES:

- > Self retracting bladder
- > Three dump valves
- > Nylon covered black aluminum backplate
- > Maximum buoyancy is 150 N which is reached within 5-8 seconds
- > Dry weight 1,8 kg



MATERIAL:

Nylon 1680, Nylon covered black aluminum backplate



Size	W cm	H cm	MH cm
S	107,0	54,0	26,5
M	110,0	54,5	27,5
L	115,0	57,5	28,5
XL	120,0	61,0	28,5

ORIGO BCD

The Origo BCD is constructed to the highest quality and durability using ballistic nylon, YKK zippers and hand crafted detailing.

MATERIAL:

Premium black or red version in Nylon 1680.
YKK Waterproof Zippers. Inflator with stainless steel mechanism.

TECHNICAL FEATURES:

Integrated weightpockets.
Case for crotch strap,
Velcro for patches or gauntlet.

COLLECTION COLORS

Red Black



Art. no. Description 4500 SEK

0337-433	Origo BCD Red S
0337-434	Origo BCD Red M
0337-436	Origo BCD Red L
0337-437	Origo BCD Red XL

0337-463	Origo BCD Black S
0337-464	Origo BCD Black M
0337-466	Origo BCD Black L
0337-467	Origo BCD Black XL





ONE WING & ONE HARNESS

Poseidon's single tank wing is now available in the ONE design. Featured in 2 colors and made in Cordura™ 1000. Designed for beginners and for more experienced divers, the One Wing 50 is a sport wing with excellent volume increase and superior bladder deflation capabilities. When deflated, the ClamRetract system helps to reduce size and drag to the minimum. Four dump valves and an inflator with a stainless steel mechanism ensure inflation and deflation is always controlled and safe; and the shape of the bladder compensates for the weight of the tank when submerged and gives you freedom to move in any direction. The narrow air passage behind the neck is designed not to impede head movement or foul regulators and hoses when inflated.

The One Wing is made for equipment with a negative weight in water that does not exceed 19 kg (41.6 lbs) and has a lifting capacity of 225 N. It comes with a double, non-flex tank-band tank attachment system and can also be equipped with integrated weight pockets, accessory pockets, metal back plate, pinbolt kit and D-rings.

The standard size has a waist belt with three rows of 40 cc holes; and the large size has six rows.



COLLECTION COLORS



Art. no.	Description	3900 SEK
0335-030	One Wing 50 Red	
0335-060	One Wing 50 Black	

FEATURES ONE WING:

Sport wing, Three dump valves, Inflator with a mechanism in stainless steel, Non-flex tankband, ClamRetract system.



COLLECTION COLORS



Art. no.	Description	3900 SEK
0336-034**	One Harness Red Standard	
0336-036**	One Harness Red Large	
0336-064	One Harness Black Standard	
0336-066	One Harness Black Large	

Red only available on special order.

FEATURES ONE HARNESS:

Ergonomic harness, 40 cc system, Fits most sizes, Available in Standard and Large.

POSEIDON ONE HARNESS

Add system products



WEIGHT POCKET M INCL. BOLT KIT

Art. no.	Description	700 SEK
000-47	Weight Pocket M	



ONE WING

Art. no.	Description	3900 SEK
0335-030	One Wing 50 Red	
0335-060	One Wing 50 Black	



BOLT KIT BESEA BUTTERFLY

Art. no.	Description
000-93*	Bolt Kit Besea Butterfly



COMBINATION WEIGHT POCKET INCL. BOLT KIT

Art. no.	Description	1000 SEK
0353-042	Combination Weight Pocket	



BACKPLATE STEEL

Art. no.	Description
0000-256*	Backplate Steel Besea



D-RING KIT BESEA PREBENT

Art. no.	Description	200 SEK
001-91*	D-Ring Kit Besea Prebent	



WEIGHT POCKET SYSTEM

Art. no.	Description	750 SEK
0355-066	Weight Pocket System	

3900 SEK



TRIM WEIGHT POCKET

Weight pocket to be used to modify the diver's trim. Easily mounted on the tank band.

COLORS

Black



Art. no.	Description	Price
0350-010	Trim Weight Pocket	180 SEK

MATERIAL:

1680D Nylon in black.

TECHNICAL FEATURES:

Fits 2kg/4lbs.



WEIGHT POCKET M INCL. BOLT KIT

Quick release when you need it. Removable inner pocket for easy weight packing and removal. Pairs perfectly with Poseidon's One Harness and Rebreather Harness and Plate System.

COLORS

Black



Art. no.	Description	Price
000-47	Weight Pocket M	700 SEK

MATERIAL:

Cordura with stainless bolt kit and plastic washer and release handle.

TECHNICAL FEATURES:

Symmetrical design enables placement on either left or right side. Quick-release mechanism. Removable inner pocket holds 4.5kg /10lbs. Bolt kit included.



COMBINATION WEIGHT POCKET INCL. BOLT KIT

The Black Line Combination Weight Pocket gives you everything you need in a larger weight pocket, combined with the added flexibility of using the pocket for accessories. Quick release when you need it. Removable inner pocket for easy weight packing and removal. Symmetrical design enables right or left placement. Pairs perfectly with Poseidon's One Harness and Rebreather Harness and Plate System.

COLORS

Black



Art. no.	Description	Price
0353-042	Combination Weight Pocket	1000 SEK

MATERIAL:

Cordura with stainless bolt kit and plastic washer and release handle.

TECHNICAL FEATURES:

Symmetrical design enables placement on either left or right side. Quick-release mechanism. Removable inner pocket holds 5kg /12lbs. Bolt kit included.



BUCKLE INCL. HOOK

Art. no.	Description	Price
3001*	Buckle stainless steel 50 mm incl. hook	270 SEK



RELEASE HOOK

Art. no.	Description	Price
3012*	Release hook 50 mm	90 SEK



WEIGHT STOPPING BUCKLE STEEL

Art. no.	Description	Price
3253 10*	Weight Stopping Buckle Stainless steel 50 mm	40 SEK



WEIGHT STOPPING BUCKLE PLASTIC

Art. no.	Description	Price
0310-145*	Weight Stopping Buckle Plastic 50 mm	20 SEK



WEIGHT BELT 50MM

Art. no.	Description	Price
2964	Weight Belt 50 mm	300 SEK



WEIGHT POCKET SYSTEM

The Black Line Weight Pocket System gives you the ultimate flexibility of fit. Quick release when you need it. Removable inner pocket for easy weight packing and removal. Symmetrical design enables right or left placement. Pairs perfectly with Poseidon's One Harness and Rebreather Harness and Plate System. Also fits with standard size weight belts.

COLORS

Black



Art. no.	Description	Price
0355-066	Weight Pocket System	750 SEK

MATERIAL:

Cordura with stainless eyelets and bolt kit. Release handle in plastic.

TECHNICAL FEATURES:

Symmetrical design enables placement on either left or right side. Fits standard size weight belt as well as Poseidon BCDs. Quick-release mechanism. Removable inner pocket holds 4.5kg /10lbs. Bolt kit included.



WEIGHT BELT MEDIUM

Comfortable padded weight belt with buckle. Padding includes a soft anti slip down material for maximum comfort. Including stainless buckle.

COLORS

Black



Art. no.	Description	Price
0350-765*	Weight Belt Medium	900 SEK

MATERIAL:

Ballistic cordura, PP webbing, stainless eyelets, YKK #10 zipper and plastic buckle. Stainless steel buckle.

TECHNICAL FEATURES:

Dual zip locked pockets with 2 + 2 internal lead compartments with a max capability of 10kg (2,5kg per compartment). 2 plastic D-rings for accessories.



WEIGHT BELT LARGE

Comfortable padded weight belt with buckle. Padding includes a soft anti slip down material for maximum comfort. Including stainless buckle.

COLORS

Black



Art. no.	Description	Price
0350-767*	Weight Belt Large	1000 SEK

MATERIAL:

Ballistic cordura, PP webbing, stainless eyelets, YKK #10 zipper and plastic buckle. Stainless steel buckle.

TECHNICAL FEATURES:

Dual zip locked pockets with 3 + 3 internal lead compartments with a max capability of 16kg (2,5kg per compartment). 2 plastic D-rings for accessories.

SUITS & ACCESSORIES

RASHGUARD TOP



COLLECTION COLORS



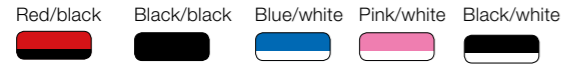
Art. no.	Description	350 SEK
0250-532	Rashguard Top, Male Red XS	
0250-533	Rashguard Top, Male Red S	
0250-534	Rashguard Top, Male Red M	
0250-536	Rashguard Top, Male Red L	
0250-537	Rashguard Top, Male Red XL	
0250-582	Rashguard Top, Male Grey XS	
0250-583	Rashguard Top, Male Grey S	
0250-584	Rashguard Top, Male Grey M	
0250-586	Rashguard Top, Male Grey L	
0250-587	Rashguard Top, Male Grey XL	
0250-562	Rashguard Top, Male Black XS	
0250-563	Rashguard Top, Male Black S	
0250-564	Rashguard Top, Male Black M	
0250-566	Rashguard Top, Male Black L	
0250-567	Rashguard Top, Male Black XL	
0250-632	Rashguard Top, Female Red XS	
0250-633	Rashguard Top, Female Red S	
0250-634	Rashguard Top, Female Red M	
0250-636	Rashguard Top, Female Red L	
0250-637	Rashguard Top, Female Red XL	
0250-682	Rashguard Top, Female Grey XS	
0250-683	Rashguard Top, Female Grey S	
0250-684	Rashguard Top, Female Grey M	
0250-686	Rashguard Top, Female Grey L	
0250-687	Rashguard Top, Female Grey XL	
0250-662	Rashguard Top, Female Black XS	
0250-663	Rashguard Top, Female Black S	
0250-664	Rashguard Top, Female Black M	
0250-666	Rashguard Top, Female Black L	
0250-667	Rashguard Top, Female Black XL	



ONE SHOE

Why you will love this product:
 Supratex neoprene for comfort and durability.
 Rear YKK zipper for easy access.
 Awesome for boards, kayaks and other watersports.

COLLECTION COLORS



MATERIAL:

Made in Supratex with rubber sole, YKK Waterproof Zipper and elastic bungy cord.

TECHNICAL FEATURES:

Step in shoe with zipper in the back, elastic bungy cord to keep the shoe slim around the divers foot, high durability sole.

Art. no.	Product Name	900 SEK
0251-8336	One Shoe Red/BK Toe Sz 36	
0251-8337	One Shoe Red/BK Toe Sz 37	
0251-8338	One Shoe Red/BK Toe Sz 38	
0251-8339	One Shoe Red/BK Toe Sz 39	
0251-8340	One Shoe Red/BK Toe Sz 40	
0251-8341	One Shoe Red/BK Toe Sz 41	
0251-8342	One Shoe Red/BK Toe Sz 42	
0251-8343	One Shoe Red/BK Toe Sz 43	
0251-8344	One Shoe Red/BK Toe Sz 44	
0251-8345	One Shoe Red/BK Toe Sz 45	
0251-8346	One Shoe Red/BK Toe Sz 46	
0251-8347	One Shoe Red/BK Toe Sz 47	
0251-8636	One Shoe Black/BK Toe Sz 36	
0251-8637	One Shoe Black/BK Toe Sz 37	
0251-8638	One Shoe Black/BK Toe Sz 38	
0251-8639	One Shoe Black/BK Toe Sz 39	
0251-8640	One Shoe Black/BK Toe Sz 40	
0251-8641	One Shoe Black/BK Toe Sz 41	
0251-8642	One Shoe Black/BK Toe Sz 42	
0251-8643	One Shoe Black/BK Toe Sz 43	
0251-8644	One Shoe Black/BK Toe Sz 44	
0251-8645	One Shoe Black/BK Toe Sz 45	
0251-8646	One Shoe Black/BK Toe Sz 46	
0251-8647	One Shoe Black/BK Toe Sz 47	
0251-9236	One Shoe Blue/WT Toe Sz 36	
0251-9237	One Shoe Blue/WT Toe Sz 37	
0251-9238	One Shoe Blue/WT Toe Sz 38	
0251-9239	One Shoe Blue/WT Toe Sz 39	
0251-9240	One Shoe Blue/WT Toe Sz 40	
0251-9241	One Shoe Blue/WT Toe Sz 41	
0251-9242	One Shoe Blue/WT Toe Sz 42	
0251-9243	One Shoe Blue/WT Toe Sz 43	
0251-9244	One Shoe Blue/WT Toe Sz 44	
0251-9245	One Shoe Blue/WT Toe Sz 45	
0251-9246	One Shoe Blue/WT Toe Sz 46	
0251-9247	One Shoe Blue/WT Toe Sz 47	
0251-9436	One Shoe Pink/WT Toe Sz 36	
0251-9437	One Shoe Pink/WT Toe Sz 37	
0251-9438	One Shoe Pink/WT Toe Sz 38	
0251-9439	One Shoe Pink/WT Toe Sz 39	
0251-9440	One Shoe Pink/WT Toe Sz 40	
0251-9441	One Shoe Pink/WT Toe Sz 41	
0251-9442	One Shoe Pink/WT Toe Sz 42	
0251-9636	One Shoe Black/WT Toe Sz 36	
0251-9637	One Shoe Black/WT Toe Sz 37	
0251-9638	One Shoe Black/WT Toe Sz 38	
0251-9639	One Shoe Black/WT Toe Sz 39	
0251-9640	One Shoe Black/WT Toe Sz 40	
0251-9641	One Shoe Black/WT Toe Sz 41	
0251-9642	One Shoe Black/WT Toe Sz 42	
0251-9643	One Shoe Black/WT Toe Sz 43	
0251-9644	One Shoe Black/WT Toe Sz 44	
0251-9645	One Shoe Black/WT Toe Sz 45	
0251-9646	One Shoe Black/WT Toe Sz 46	
0251-9647	One Shoe Black/WT Toe Sz 47	



EU	36		37		38		39		40		41	
	Male	Female	Male	Female	Male	Female	Male	Female	Male	Female	Male	Female
USA		5		6	5	7	6	8	7	9	8	10
UK	4	3.5	4.5	4	5.5	5	6.5	6	7	6.5	7.5	7
CM	23,5		23,8		24,5		25,1		25,4		25,7	
EU	42		43		44		45		46		47	
	Male	Female	Male	Female	Male	Female	Male	Female	Male	Female	Male	Female
USA	9	11	10		11		12		13		14	
UK	8	7,5	8,5	8	10	9,5	11	10,5	12	11,5	13	12,5
CM	26		26,7		27,3		27,9		29,2		29,8	

BLACK, RED & WHITE LINE MASK

High performance and high style are combined in the new Poseidon Line Mask, featuring LVSL© technology.

COLORS



Art. no.	Description	900 SEK
0720-160	Black Line Mask	
0720-140	Red Line Mask	
0720-110	White Line Mask	

MATERIAL:

Ultra clear lens.
Frameless mask with skirt in high quality silicone and silicone strap.



TECHNICAL FEATURES:

Enhanced field of vision from angled lens.
Easy to clear low volume profile.
Flood resistant extra deep, ultra soft skirt.
Works great with beards.
Poseidon's Black Line Mask was inspired by rebreather divers who need the maximum field of vision combined with a minimal gas requirement to clear the mask. To answer their needs, we developed LVSL © Low-Volume Single-Lens technology to give a unique combination of features that benefit all divers.

THREEDEE

A low volume mask that fits most faces. A robust frame and with optical lenses.

COLORS



Art. no.	Description	550 SEK
8700-BK BK BS	Mask 3D - Black/Black, BS	
8700-BK KV BS	Mask 3D - Black/Kevlar, BS	
8700-BK YW BS	Mask 3D - Black/Yellow, BS	
8700-BK YW CS	Mask 3D - Black/Yellow, Clear Silicone	
8700-BK RD BS	Mask 3D - Black/Red, BS	
8700-PI WH CS	Mask 3D - Pink/White, Clear Silicone	

8701-XX-L*	Lens Mask 3D - Left
8701-XX-R*	Lens Mask 3D - Right



MATERIAL:

Our exclusive ultra-light two-lens mask has an ultra-light polymer frame and comfort fit skirt in high quality silicone.
The side buckles swivel 45 degrees and are strong and easy to adjust.
Colors include matte and metallic surfaces, and 'Poseidon yellow'.

TECHNICAL FEATURES:

Prescription lenses available online.
Lens 3D from -1,5 to -9,0 in steps of 0,5.
Comfort fit suits most face shapes.
Easy to clear thanks to low volume profile.



TECHNICAL FEATURES:

Perfect free-diving mask. Easy to clear, ultra-low-volume.
Stand-out rugged, stylish look.
Poseidon's Technica Mask was inspired by free-divers who need the minimum gas requirement to clear their masks. The Technica Mask's rugged looks will set you apart from the crowd and perform flawlessly. Dive after dive.

TECHNICA

Classic mask with ultra low volume.
Very popular among technical divers and free divers.

COLORS

Black/grey

Art. no.	Description	700 SEK
8684-GK GA BS	Mask Technica, grey/black gomma	

MATERIAL:

A compact mask with rubberised surface and double glass.

BLACK, RED & WHITE LINE SNORKEL



Lightweight. Foldable. Functional.
The new Poseidon Snorkel.
Black, Red or White Line

COLORS



Art. no.	Description	200 SEK
0730-000	Black Line Snorkel	
0730-040	Red Line Snorkel	
0730-010	White Line Snorkel	

MATERIAL:

Silicone mouthpiece with TPR tube.

TECHNICAL FEATURES:

Lightweight and compact for easy travel.
Foldable design for easy storage on dives.
Wraparound design for streamlined swimming.
Perfect companion to any Poseidon Mask.

TRIDENT FIN



Ideal for those who prefer a rigid rubber fin. Stainless steel strap for easy on and off. One of the shortest fins of its kind with an edge on the side for maneuverability. Highly popular among technical divers.

COLLECTION COLORS



MATERIAL:

Made from 100% rubber with rubber coated stainless steel strap.

Art. no.	Description	1750 SEK	TECHNICAL FEATURES:
0710-062	Trident Fin Red - Size M	1750 SEK	Short rubber fin for the technical diver
0710-063	Trident Fin Red - Size L	1750 SEK	
0710-064	Trident Fin Red - Size XL	1750 SEK	Easy on and off
0710-065	Trident Fin Red - Size XXL	2000 SEK	Stainless steel strap with easy grip
0710-032	Trident Fin Black - Size M	1750 SEK	
0710-033	Trident Fin Black - Size L	1750 SEK	High force fin with edges for maneuverability
0710-034	Trident Fin Black - Size XL	1750 SEK	

SIZE CHART, RUBBER FIN

	Description	Size	USA	France	Japan	Length (cm)
	Trident Fin	M	6-8	39-41	24-25	46
	Trident Fin	L	9-11	42-44	26-27	48.5
	Trident Fin	XL	12-13	45-46	28-29	51
	Trident Fin	XXL	13-15	46-48	30	52

STAINLESS STRAP + CLIP TRIDENT FIN

Prod. Code	Product Name
0750-012	Stainless Strap+Clip Trident Fin - M - Black
0750-013	Stainless Strap+Clip Trident Fin - L - Black
0750-014	Stainless Strap+Clip Trident Fin - XL - Black
0750-015	Stainless Strap+Clip Trident Fin - XXL - Black
0750-027*	Stainless Strap+Clip Trident Fin - M - Red
0750-029*	Stainless Strap+Clip Trident Fin - XL - Red

STAINLESS CLIP TRIDENT FIN

Prod. Code	Product Name
0750-006	Stainless Clip Trident Fin



BALLISTIC GEAR BAGS

Poseidon's gear bags are waterproof, made in ballistic nylon and designed to withstand the toughest environments and challenges. Only available in Black. Sizes : 20 L, 52 L and 110 L.

COLORS

Black



MATERIAL:

Made in Ballistic Nylon 1680.

Art. no. Description

0650-001	Ballistic Gear Bag Black 20 L Removable camera insert	900 SEK	Dry bags with additional outside pocket,
0650-002	Ballistic Gear Bag Black 52 L	1700 SEK	side lining with pockets, padded
0650-003	Ballistic Gear Bag Black 110 L	2200 SEK	shoulder strap.



REGULATOR BAG

Art. no. Description

7615	Regulator Bag	400 SEK
------	---------------	----------------



MULTITOOL

Rubberised multitool with most commonly used tools for diving.

Art. no. Description

0655-003	Multi tool Metric	500 SEK
----------	-------------------	----------------



DAY PACK BAG

Poseidon's travel bag in ballistic nylon with water valves for wet equipment.

COLORS

Green



Art. no. Description

0650-006	Day Pack Bag	1350 SEK
----------	--------------	-----------------

MATERIAL:

Ballistic Nylon, Nylon straps, YKK waterproof zipper.

TECHNICAL FEATURES:

Waterproof side pockets, main pocket with holes in bottom, inside padding with additional accessory pockets.

POSEIDON PROFESSIONAL 500 M DIVE WATCH

The Poseidon Professional 500 m dive watch is back. Available with yellow or black dial. Quartz movement, uni-directional rotating bezel, illuminated markings and date at 3 o'clock, water resistant to 500 m.

Black or yellow dial with date. Sapphire glass. Diameter 46 mm, thickness 12 mm.



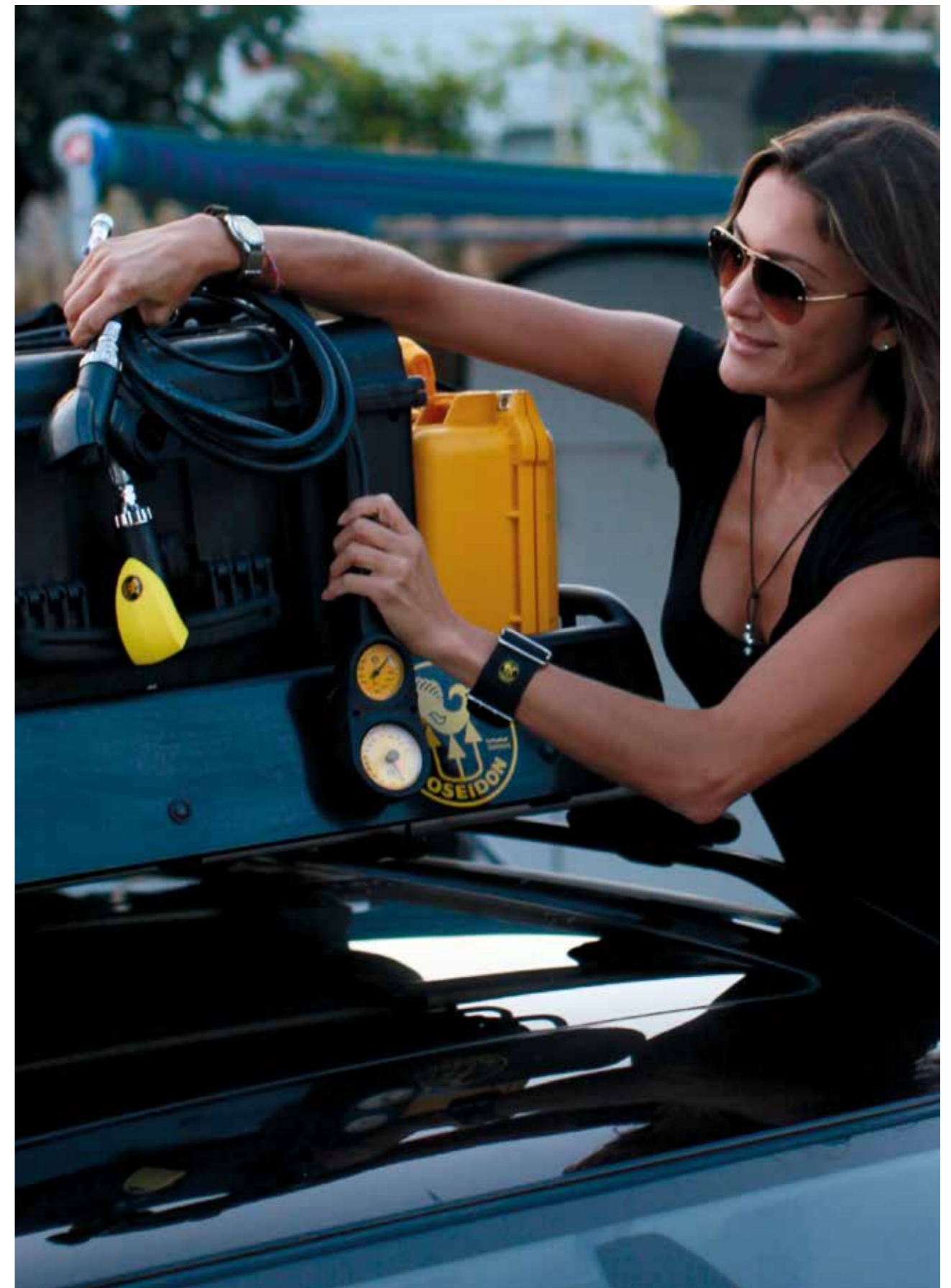
Art. no. Description 3000 SEK

0610-001	Dive Watch Professional 500 m YW
----------	----------------------------------



Art. no. Description 3000 SEK

0610-003	Dive Watch Professional 500 m BK
----------	----------------------------------





TITANIUM KNIFE

The Black Line Titanium Knife offers the ultimate combination of high quality and rugged design. The custom sheath with quick release mechanism ensures that your knife will be instantly available whenever you need it. The titanium blade and hammer tip will ensure that it is up to any task you put it to.

COLORS

Black



Art. no. Description 1500 SEK

0655-011 Black Line Titanium Knife

MATERIAL:

Titanium blade with TPR handle, POM sheath and neoprene harness.

TECHNICAL FEATURES:

Titanium blade for ultimate quality.
Hammer tip.
Quick-release polyurethane sheath with neoprene securing straps.

**WING MAN,
SIDE SLING BAG**

COLORS

Black



Art. no. Description

0650-031* Side Sling Case 7 L/55 CF **900 SEK**

0650-032 Side Sling Case 5 L/40 CF **850 SEK**

0650-033* Side Sling Case 11 L/80 CF **950 SEK**

TITANIUM LINE CUTTER

Titanium line cutter with multifunction casing, both velcro and webbing.

COLORS

Titanium with black case



Art. no. Description 70 SEK

0655-002 Line cutter



**NECK STRAP MASK
SILICON BLACK**

Art. no. Description

8095 01* Neck Strap Mask Silicon Black



**NECK STRAP MASK
SILICON CLEAR**

Art. no. Description

8095 02* Neck Strap Mask Silicon Clear



**NECK STRAP
XSTREAM**

Art. no. Description 200 SEK

4540* Neck Strap Xstream



**MOUTHPIECE
INCL. STRAPS**

Art. no. Description 80 SEK

0005-009 Mouthpiece incl. straps



NECKSTRAP

Ultra comfortable neckstrap in 2 mm neoprene with anti-slide velcro.

COLORS

Black



Art. no. Description 200 SEK

3709 06 Nackband mask neopr. Velcro

MATERIAL:

Jako neoprene in 2 mm. Available in Black with Poseidon rubber logo.

TECHNICAL FEATURES:

Anti-slide velcro patches.



**BACKPLATE STEEL
ONE HARNESS/
BESEA**

Stainless steel replacement for the plastic backplate integrated in the One Harness and adds an extra 2kg of weight.

Art. no. Description

0000-256* Backplate Steel Besesa



**ANTI-FREEZE CAPS
INCL. STRAPS**

Art. no. Description 120 SEK

1286 Anti-freeze Caps



**BOLT KIT
BESEA BUTTERFLY**

Art. no. Description

000-93* Bolt Kit Besesa Butterfly



**D-RING KIT
BESEA PREBENT**

Art. no. Description

001-91* D-Ring Kit Besesa Prebent



LUBRICANT STICK

Art. no. Description

0000-181 Lubricant Stick 20 g



**POSEIDON
CAP ALL GOOD**

Cap with embroidered logo.

COLORS

Black



Art. no. Description 200 SEK

0040-013	Poseidon Cap All Good
----------	-----------------------



**POSEIDON
CAP 58**

Cap with with Poseidon 58 text and embroidered logo back.

COLORS

Black



Art. no. Description

0040-011	Poseidon Cap 58
----------	-----------------



**POSEIDON
POWER STRECH HAT**

COLORS

Black



Art. no. Description

7011-BK	Poseidon Power Stretch Hat
---------	----------------------------



**POSEIDON
SWEATSHIRT FISH**

Navy, with Poseidon logo Warm white

COLORS

Navy



Art. no. Description 700 SEK

0040-111	Poseidon Sweatshirt Fish, Navy S
0040-112	Poseidon Sweatshirt Fish Navy M
0040-113	Poseidon Sweatshirt Fish, Navy L
0040-114	Poseidon Sweatshirt Fish, Navy XL
0040-115	Poseidon Sweatshirt Fish, Navy XXL



**POSEIDON
ZIP HOODED SWEATSHIRT**

Navy, with Poseidon logos Yellow

COLORS

Navy



Art. no. Description 900 SEK

0040-103	Poseidon Zip Hooded Sweatshirt Fish, Navy S
0040-104	Poseidon Zip Hooded Sweatshirt Fish Navy M
0040-105	Poseidon Zip Hooded Sweatshirt Fish, Navy L
0040-106	Poseidon Zip Hooded Sweatshirt Fish, Navy XL
0040-107	Poseidon Zip Hooded Sweatshirt Fish, Navy XXL

POSEIDON POLO FISH

White, with Poseidon logo black.
Black, with Poseidon logo Yellow

COLORS

White



Black



Art. no. Description 450 SEK

0040-087	Poseidon Polo Fish, White S
0040-088	Poseidon Polo Fish, White M
0040-089	Poseidon Polo Fish, White L
0040-090	Poseidon Polo Fish, WhiteXL
0040-091	Poseidon Polo Fish, White XXL
0040-095	Poseidon Polo Fish, Black S
0040-096	Poseidon Polo Fish, Black M
0040-097	Poseidon Polo Fish, Black L
0040-098	Poseidon Polo Fish, Black XL
0040-099	Poseidon Polo Fish, Black XXL



APPAREL



POSEIDON T-SHIRT FISH

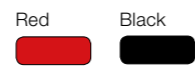
White, with Poseidon logo Black
Navy, with Poseidon logo Yellow

COLORS



Art. no.	Description	300 SEK
0040-071	Poseidon T-Shirt Fish, White S	
0040-072	Poseidon T-Shirt Fish, White M	
0040-073	Poseidon T-Shirt Fish, White L	
0040-074	Poseidon T-Shirt Fish, White XL	
0040-075	Poseidon T-Shirt Fish, White XXL	
0040-079	Poseidon T-Shirt Fish, Navy S	
0040-080	Poseidon T-Shirt Fish, Navy M	
0040-081	Poseidon T-Shirt Fish, Navy L	
0040-082	Poseidon T-Shirt Fish, Navy XL	
0040-083	Poseidon T-Shirt Fish, Navy XXL	

Red, with Poseidon logo light Grey
Black, with Poseidon logo dark Grey



Art. no.	Description	300 SEK
0040-119	Poseidon T-Shirt Fish, Red S	
0040-120	Poseidon T-Shirt Fish, Red M	
0040-121	Poseidon T-Shirt Fish, Red L	
0040-122	Poseidon T-Shirt Fish, Red XL	
0040-123	Poseidon T-Shirt Fish, Red XXL	
0040-127	Poseidon T-Shirt Fish, Black S	
0040-128	Poseidon T-Shirt Fish, Black M	
0040-129	Poseidon T-Shirt Fish, Black L	
0040-130	Poseidon T-Shirt Fish, Black XL	
0040-131	Poseidon T-Shirt Fish, Black XXL	



APPAREL

POSEIDON 60TH ANNIVERSARY T-SHIRTS



COLORS



Art. no.	Description	300 SEK
0040-143	Poseidon T-Shirt Cyklon Zebra, White S	
0040-144	Poseidon T-Shirt Cyklon Zebra, White M	
0040-145	Poseidon T-Shirt Cyklon Zebra, White L	
0040-146	Poseidon T-Shirt Cyklon Zebra, White XL	
0040-147	Poseidon T-Shirt Cyklon Zebra, White XXL	



Black



Art. no.	Description	300 SEK
0040-159	Poseidon T-Shirt Aqua-Sport Zebra, Black S	
0040-160	Poseidon T-Shirt Aqua-Sport Zebra, Black M	
0040-161	Poseidon T-Shirt Aqua-Sport Zebra, Black L	
0040-162	Poseidon T-Shirt Aqua-Sport Zebra, Black XL	
0040-163	Poseidon T-Shirt Aqua-Sport Zebra, Black XXL	



COLORS



Art. no.	Description	300 SEK
0040-135	Poseidon T-Shirt Don't Suck, White S	
0040-136	Poseidon T-Shirt Don't Suck, White M	
0040-137	Poseidon T-Shirt Don't Suck, White L	
0040-138	Poseidon T-Shirt Don't Suck, White XL	
0040-139	Poseidon T-Shirt Don't Suck, White XXL	



Navy



Art. no.	Description	300 SEK
0040-151	Poseidon T-Shirt Cyklon, Navy S	
0040-152	Poseidon T-Shirt Cyklon, Navy M	
0040-153	Poseidon T-Shirt Cyklon, Navy L	
0040-154	Poseidon T-Shirt Cyklon, Navy XL	
0040-155	Poseidon T-Shirt Cyklon, Navy XXL	

DISCONTINUED PRODUCTS

The number and sizes may be limited. Check availability to order.

We are reducing the color range on certain products. The following products have been discontinued in blue and grey, but will be continued in red and black.

REBREATHER BCD



Blue Grey



Art. no.	Description
0337-022	Rebreather BCD Blue XS
0337-023	Rebreather BCD Blue S
0337-024	Rebreather BCD Blue M
0337-026	Rebreather BCD Blue L
0337-027	Rebreather BCD Blue XL
0337-082	Rebreather BCD Grey XS
0337-083	Rebreather BCD Grey S
0337-084	Rebreather BCD Grey M
0337-086	Rebreather BCD Grey L
0337-087	Rebreather BCD Grey XL

IPAD CASE



Waterproof casing for iPad available in black Nylon 1680.

COLORS

Black



Art. no.	Description	500 SEK
0650-010	IPad Case Black	

LAPTOP CASE



Waterproof casing for Laptops 15" and 17". Made in Nylon 1680.

COLORS

Black



Art. no.	Description	700 EK
0650-011	Laptop Case Black	

TECHNICA SNORKEL



Designed with comfort and heavy usage in mind, the Technica Snorkel delivers rugged dependability.

COLORS

Black



Art. no.	Description
0730-002	Technica Snorkel

MATERIAL:

Silicone mouthpiece with TPR tube.

BUCKLE INCL. HOOK



Art. no.	Description
3000	Buckle stainless steel 40 mm incl. hook

RELEASE HOOK



Art. no.	Description
3011	Release hook 40 mm

POSEIDON DIVING SYSTEMS AB

Åkeredsvägen 1
SE-421 63 Västra Frölunda
SWEDEN

E-mail: sales@poseidon.com
order@poseidon.com
Phone: +46 31 734 29 00

shop.poseidon.com
www.poseidon.com



DIVE LIKE A PRO
#DIVEPOSEIDON